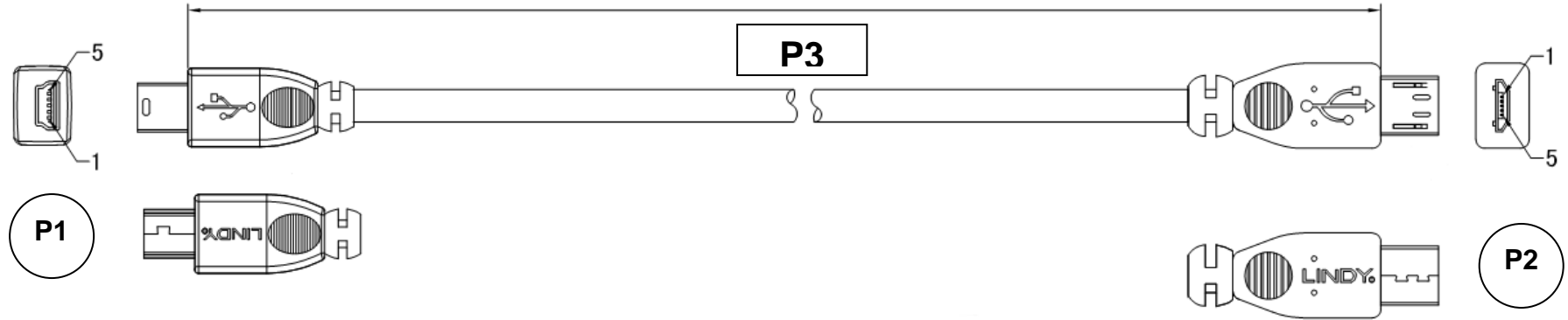


# LINDY PRODUCT SPECIFICATION (1 OF 1)

Polybag Size	Overall Length	Product Number
P1	0.5m	31717
P2	1m	31718
P2	2m	31719

Cable printing:  
 EXXXXXXX AWM 2725 80C 30V VW-1 C AWM I/IIA 80C 30V FTI XXX USB REVISION 2.0 – RoHS – www.LINDY.com

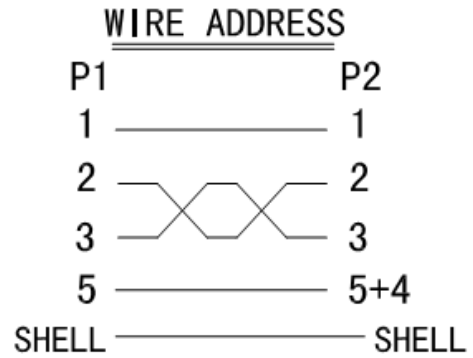


NO	DESCRIPTION	QTY
P1	USB 2.0 Mini-B Male LINDY Moulded connector, Black with Red S/R	1
P2	USB 2.0 Micro-B Male LINDY Moulded Connector, Red with Red S/R	1
P3	CABLE USB 2.0 compliant 28AWG (7/0.127TC) x1T/p + 28AWG (7/0.127TC) x2C + AL + B (16*3/0.12ALM), OD:3.5mm Jacket material: PVC,	1

- Description: USB 2.0 OTG Cable Micro-B to Mini-B**
- Connectors: USB Type Micro-B Male (Red) / USB Mini-B Male (Black)
  - Micro-B is USB OTG Host
  - Cable Colour: Black
  - Cable type: UL2725, RoHS compliant

**Packaging:** LINDY Polybag as above with barcode label

Alterations	Issue	Date	BY	GB	DE
	0	25.01.13	oH	AI	
Connector colours updated	1	28.01.13	oH	AI	
Packaging and polybags amended	2	03.12.14	GM	NC	



Drawn By: oH 25.01.13

All connectors viewed from front

The following tolerances apply to overall dimensions -0% +10%

© LINDY Electronics Ltd., LINDY-Elektronik GmbH and LINDY group. All rights reserved.

GB Tel: +44 1642-754000 | DE Tel: +49 621-47-005-0  
 Fax: +44 1642-754027 | Fax: +49 621-47-005-990