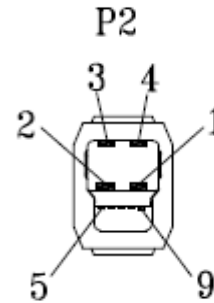
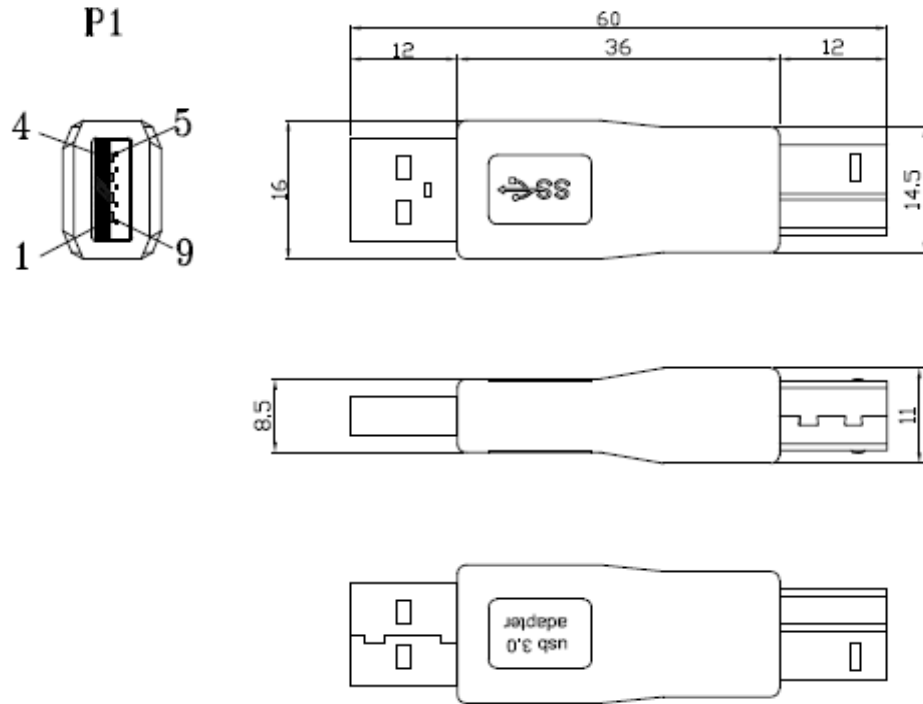


	REVISED	DR	APP



NOTES:

1. WIRE:
28AWG WHITE PVC JACKET OD: 0.8 ± 0.2 mm.
2. CONNECTOR:
P1: USB 3.0 A TYPE MALE, SOLDER TYPE, BLUE INSULATION, GOLD PLATED 15 μ "CONTACTS, SHELL NICKEL PLATED.
P2: USB 3.0 B TYPE FEALE, SOLDER TYPE, BLUE INSULATION, GOLD PLATED 15 μ "CONTACTS, SHELL NICKEL PLATED.
3. HOOD: OVERMOLD USE (ANY) 45P PVC.
4. ALL MATERIALS ARE ROHS COMPLIANT.
5. TESTING: ALL PRODUCTS MUST BE 100% TESTED AT: COND: 5Ω INS: $10M \Omega$ HI-V: DC 300V 0.01SEC
6. PACKING: EACH CABLE IN A CLEAR ZIP-BAG.

PIN OUT

P1	P2
1	1
2	2
3	3
4	4
5	5
6	6
7	7
8	8
9	9

SHELL ——— SHELL



S-Conn Handels GmbH
Am Mühlberg 8
91477 Markt Bibart
Tel. 09162/ 98 93 8-0
Fax 09162/ 98 93 8-20
info@s-conn.de

S/CONN

maximum connectivity

www.s-conn.de

DESCRIPTION		USB 3.0 AM to BF adapter, blue					
SIZE	A4	DATE	27.03.2012	CHECKED		TOL	77046-3
UNIT	MM	DRAWN	C.Motzek	APPROVED			
SCALE	NTS						