

SPECIFICATION:

Current rating: 3 A
 Voltage rating: 60 V
 Insulation resistance: 1000 MΩ min.
 Contact resistance: 4 mΩ max.
 Dielectric voltage: 500 V AC
 Operation temperature: -40 °C to +105 °C

**RoHS
COMPLIANT**

MECHANICAL:

Insertion force: ≤ 250 g
 Extraction force: ≥ 90 g min.
 Operating life: 5000 cycles

MATERIAL:

Housing: PBT UL94V-0
 Contacts: Brass, machined CuZn38Pb2
 Clip: Beryllium copper

FINISH:

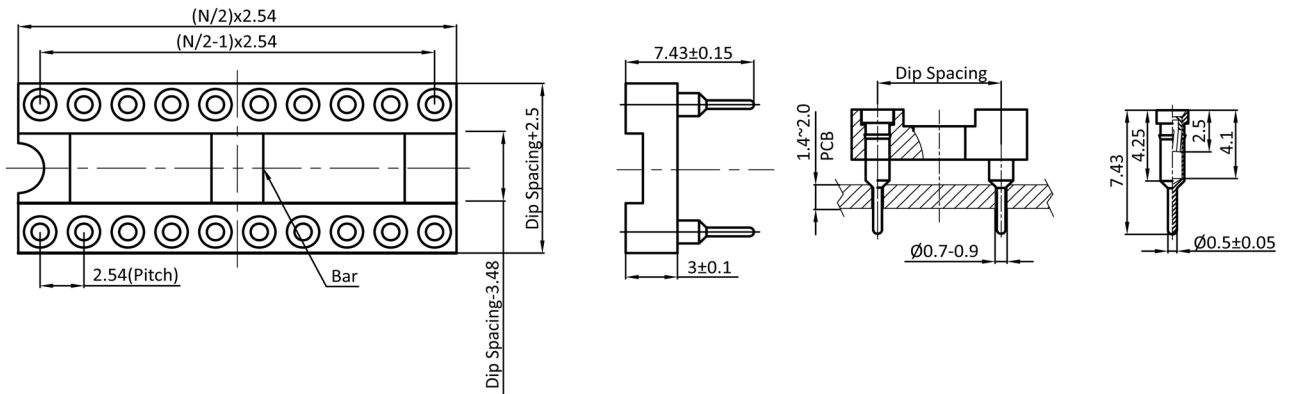
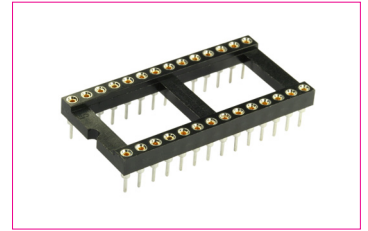
Contacts: Tin plated
 Clip: Gold Flash

HANDLING:

Processing: Wave soldering
 Packing: Tube

TOLERANCE:

.X ± 0.30
 .XX ± 0.20



Order-Information

| Identifier: | No. of contacts: | DIP spacing: | Version: |
|----------------------------------|------------------|--------------|-------------------------|
| PZ | # | # | # |
| DIL IC Socket with machined Pins | 6: 2 x 3 * | A: 7.62 mm | W: w/o Central Support |
| | 8: 2 x 4 * | B: 10.16 mm | B: with Central Support |
| | 10: 2 x 5 | C: 15.24 mm | |
| | 14: 2 x 7 * | | |
| | 16: 2 x 8 * | | |
| | 18: 2 x 9 * | | |
| | 20: 2 x 10 * | | |
| | 22: 2 x 11 * | | |
| | 24: 2 x 12 * | | |
| | 28: 2 x 14 * | | |
| | 32: 2 x 16 * | | |
| | 36: 2 x 18 | | |
| | 40: 2 x 20 * | | |
| | 42: 2 x 21 | | |
| | 48: 2 x 24 | | |
| | 50: 2 x 25 | | |
| | 52: 2 x 26 | | |
| | 64: 2 x 32 | | |

* = standard